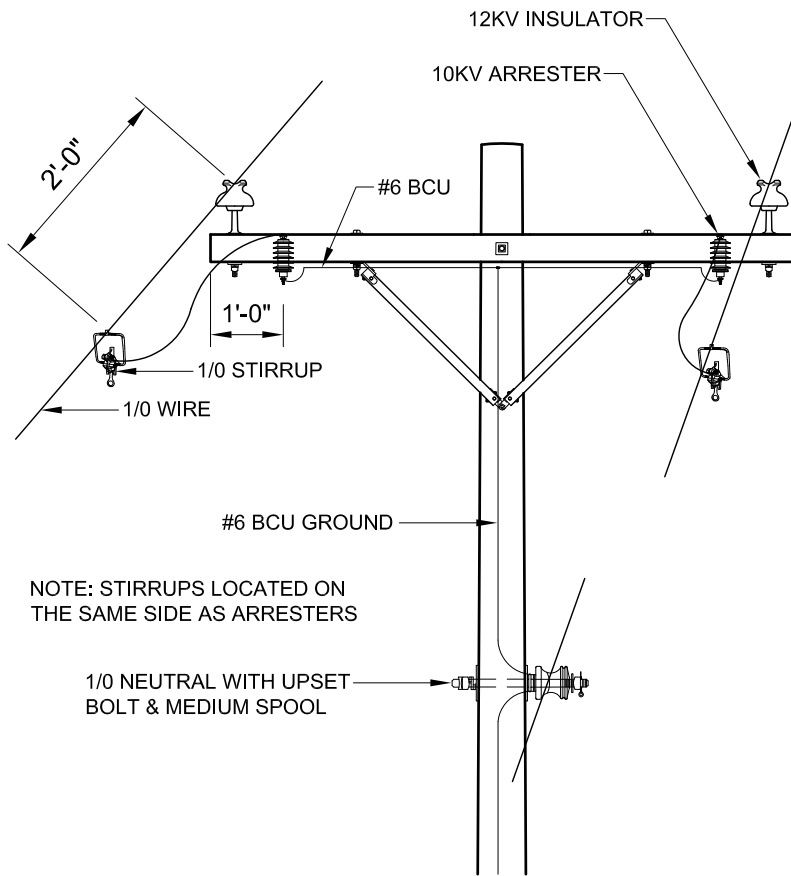
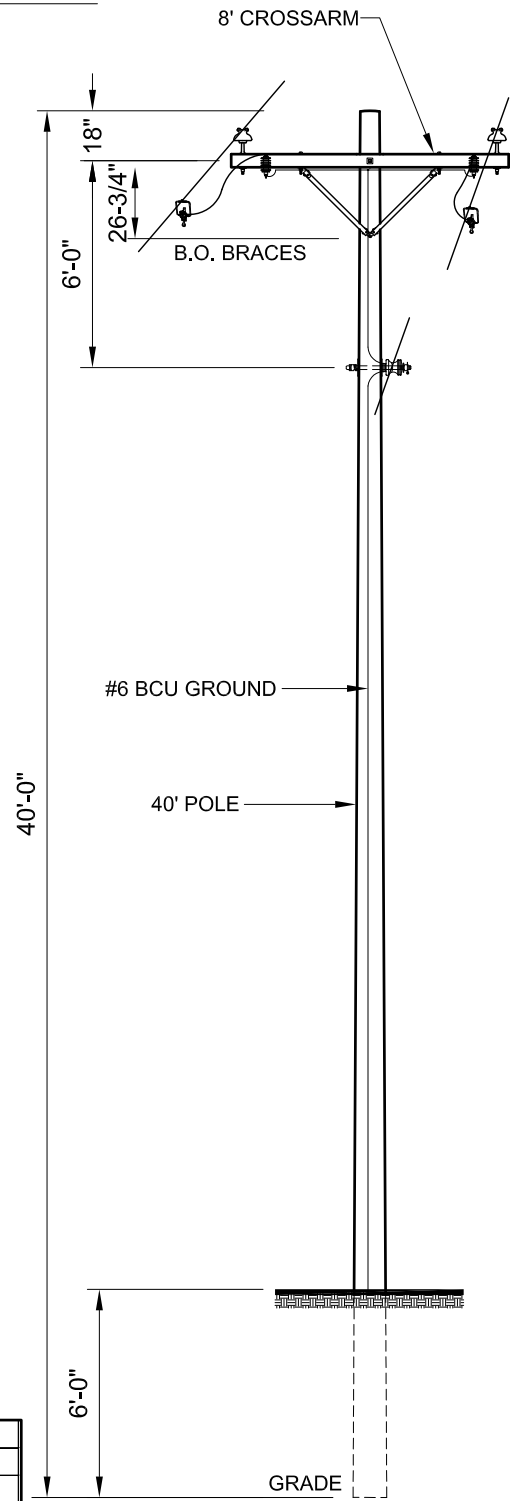


## JOURNEYMAN 12KV ARRESTER CHANGE OUT



NOTE: STIRRUPS LOCATED ON THE SAME SIDE AS ARRESTERS



1 - 40/4 pole	8	MCFARLAND CASCADE	SEE SPEC
1 - 8' cross arm	8	Brooks Manufacturing Company	SEE SPEC
2 - braces	16	Aluma-Form	RA-4824
1 - 14"x 5/8 machine bolt	8	ALLIED BOLT INC	8226
1 - 10"x 5/8 machine bolt	8	ALLIED BOLT INC	8222
2 - braces bolts for arm	16	ALLIED BOLT INC	8209
4 - 2" square washers	32	MACLEAN POWER SYSTEMS	J1075
2 - 12kv insulator pins	16	MACLEAN POWER SYSTEMS	J204Z
2 - 12kv pin insulators	16	VICTOR	VI606R
2 - 10kv arrester	16	COOPER POWER SYSTEMS	URT10050B1A1A1A
2 - Arm Bracket	16	A B CHANCE COMPANY	C2060127
2 - 1/0 top ties	16	PREFORMED LINE PRODUCTS	WTF-0212
1 - 1/0 neutral tie	8	PREFORMED LINE PRODUCTS	EZSP-4375
1 - 12" upset bolt	8	JOSLYN MFG. & SUPPLY	J2346-1/2
1 - neutral spool	8	VICTOR	VI2612
2 - hot line clamp	16	BLACKBURN COMPANY	HLC3974P
2 - stirrups to fit 1/0	16	BURNDY CORPORATION	YC28U26
14' copper wire #6	112'	SOUTHWIRE COMPANY	NO SPEC