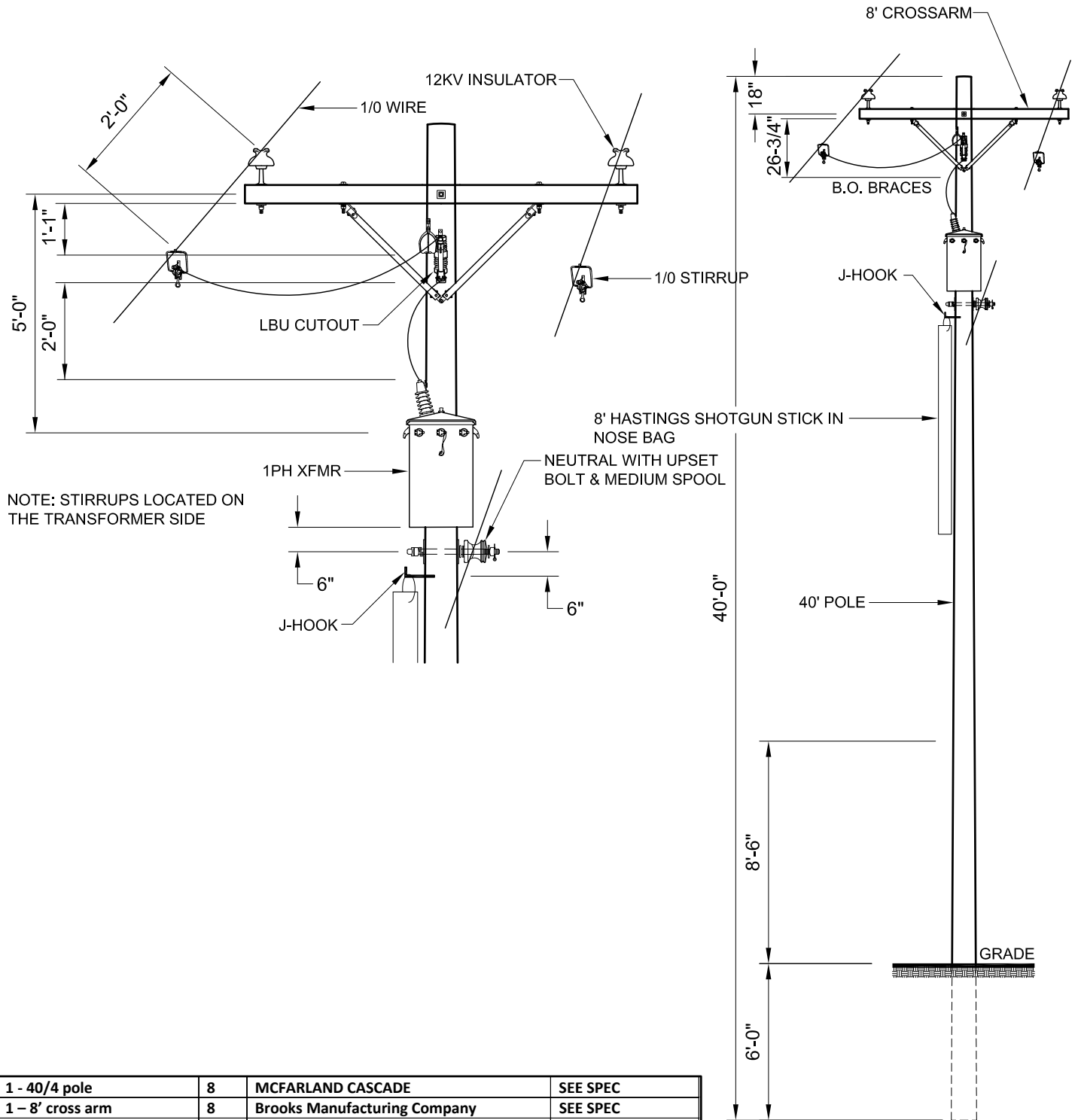


APPRENTICE TRANSFORMER LOAD TRANSFER



1 - 40/4 pole	8	MCFARLAND CASCADE	SEE SPEC
1 - 8' cross arm	8	Brooks Manufacturing Company	SEE SPEC
2 - braces	16	Aluma-Form	RA-4824
1 - 14" x 5/8 machine bolt	8	ALLIED BOLT INC	8226
1 - 10" x 5/8 machine bolt	8	ALLIED BOLT INC	8222
2 - 6" x 1/2 brace bolts	16	ALLIED BOLT INC	8209
6 - 2" square washers	48	MACLEAN POWER SYSTEMS	J1075
1 - 18" fiberglass bracket	8	MACLEAN POWER SYSTEMS	G1MDA118ATC4
1 - cutout	8	ABB	Y1JCNNNA11
1 - Arm bracket		A B CHANCE COMPANY	C2060127
2 - stirrups for 1/0	16	BURNDY CORPORATION	YC28U26
2 - hotline clamps	16	BLACKBURN COMPANY	HLC3974P
8' - #6 copper wire	64'	SOUTHWIRE COMPANY	NO SPEC
2 - 1/0 top ties	16	PREFORMED LINE PRODUCTS	WTF-0212
1 - 12" upset bolt	8	JOSLYN MFG. & SUPPLY	J2346-1/2
1 - neutral spool	8	VICTOR	VI2612
1 - neutral tie	8	PREFORMED LINE PRODUCTS	EZSP-4375