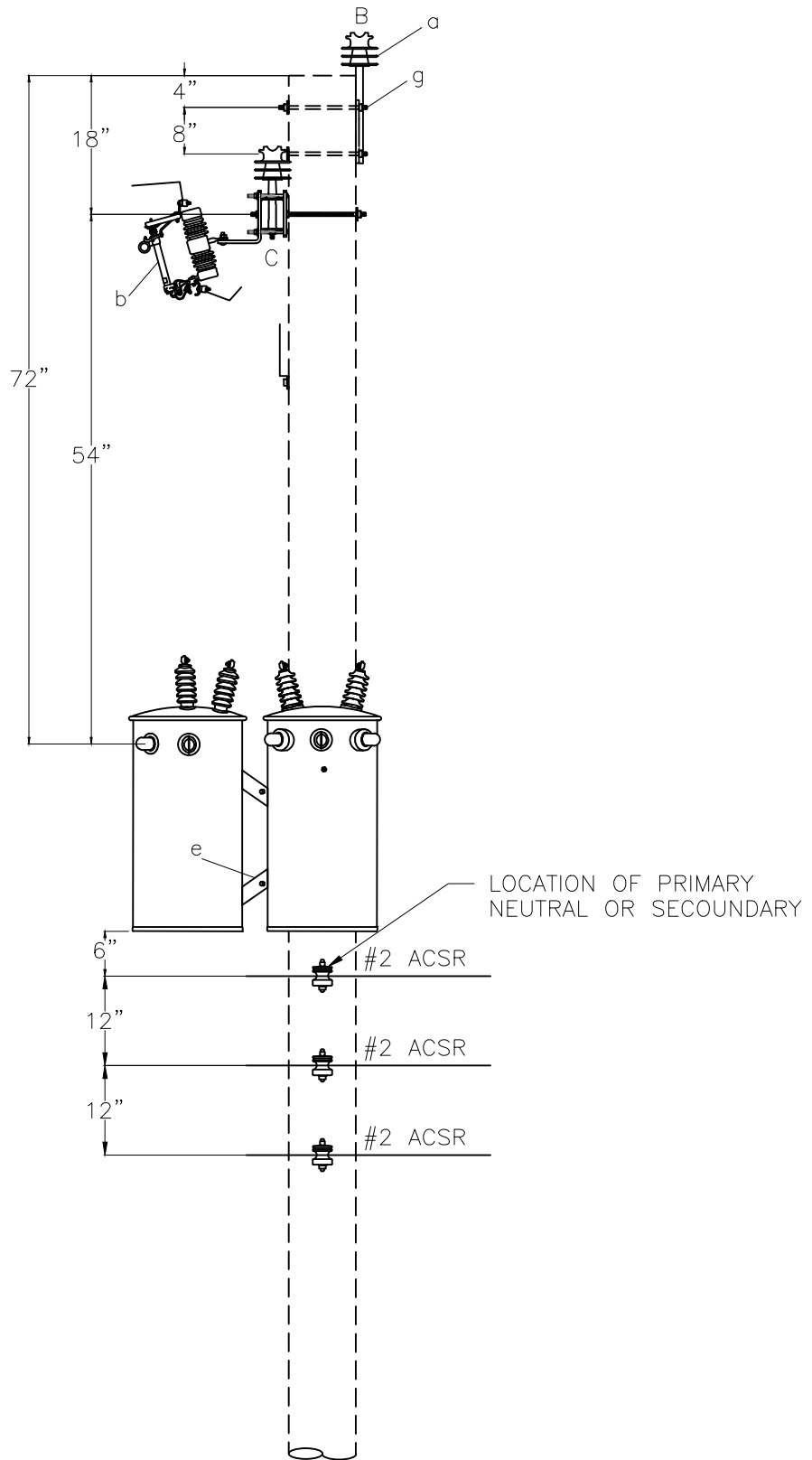


REV	NAME	DATE	DESCRIPTION	DRAWN	SMD
0	SMD	10/28/19	TRANSFORMER BANKING DIAGRAM FOR RODEO	DATE	10/28/19
				CHKD	MK
				ENG APPV	N/A
TRANSFORMER BANKING DIAGRAM 1				SCALE	NTS
				SHT	1 of 2
				DWG. No.	TFMR1





REV	NAME	DATE	DESCRIPTION	DRAWN	SMD
0	SMD	10/28/19	TRANSFORMER BANKING DIAGRAM FOR RODEO	DATE	10/28/19
				CHKD	MK
				ENG APPV	N/A
TRANSFORMER BANKING DIAGRAM 2				SCALE	NTS
				SHT	1 of 2
				DWG. No.	TFMR1



ITEM	QTY.	STOCK NO.	DESCRIPTION	NOTE
a	3	0320021	10KV ARRESTOR	
b	3	0320029	15KV CUTOUT	
c	1	0250176	3Ø TRANSFORMER BRACKET	
d	1	0170110	5/8" X 20" DOUBLE ARMING BOLT	
e	2	0170124	2" X 2" X 5/8" SQ. WASHER	
f	1	0270034	15KV PIN. INSULATOR	
g	3	0170045	CONNECTOR SPLIT BOLT #4	
h	3	AR	AMPACT STIRRUP	
i	3	0250059	HOT LINE CLAMP	
j	1	0170039	INSULATOR ADAPTER	
k	AR	0200014	WIRE #4 BARE SOL CU SD	
l	3	0320069	GUARD ANIMAL (SQUIRREL)	
m	AR	NIS	WIRE #4 WP SOL CU SD	

NOTES: TRANSFORMER STATION FOR THREE PHASE PRIMARY,  
CONSTRUCTION STANDARD P3X-3.

REV	NAME	DATE	DESCRIPTION	DRAWN
0	SMD	10/28/19	TRANSFORMER BANKING DIAGRAM FOR RODEO	SMD
				DATE 10/28/19
				CHKD MK
				ENG APPV N/A
				SCALE NTS
				SHT 2 of 2
				DWG. NO. TFMR1

TRANSFORMER BANKING DIAGRAM 2  
PARTS LIST

