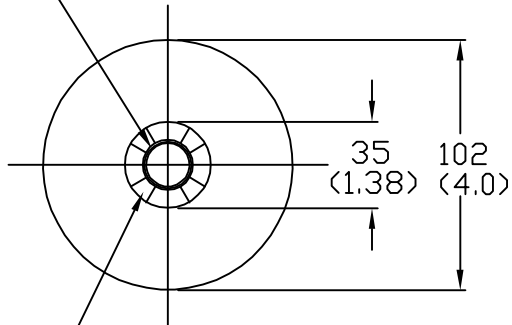


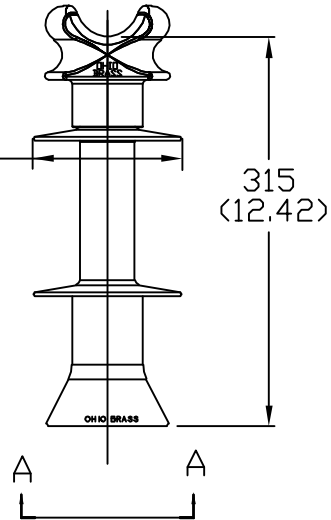
3/4-10 UFS-2B TAPPED HOLE  
PER ANSI C29.7



CAST IN SERRATED LOCKING  
PAD PER ANSI C29.7

VIEW A-A  
2X SCALE

121 DIA  
(4.77)  
2 SHEDS



DRY ARCING DISTANCE	_____	188 MM (7.4 IN)
LEAKAGE DISTANCE	_____	279 MM (11.0 IN)
60 Hz DRY FLASHOVER	_____	90 kV
60 Hz WET FLASHOVER	_____	70 kV
IMPULSE POS. CRITICAL FLASHOVER	_____	150 kV
IMPULSE POS. WITHSTAND	_____	140 kV
SCL	_____	12.5 kN (2800 LB)
RCL	_____	5.5 kN (1235 LB)
NET WEIGHT	_____	3.0 KG (6.6 LB.)

~~OHIO BRASS~~  
TOLERANCE CHART



HUBBELL® POWER SYSTEMS

CONFIDENTIAL: THIS DRAWING AND ITS CONTENTS ARE CONFIDENTIAL AND THE EXCLUSIVE PROPERTY OF HUBBELL POWER SYSTEMS. NO PUBLICATION, DISTRIBUTION OR COPIES MAY BE MADE WITHOUT THE WRITTEN CONSENT OF HUBBELL POWER SYSTEMS. HUBBELL POWER SYSTEMS UNPUBLISHED ALL RIGHTS RESERVED UNDER THE COPYRIGHT LAWS.

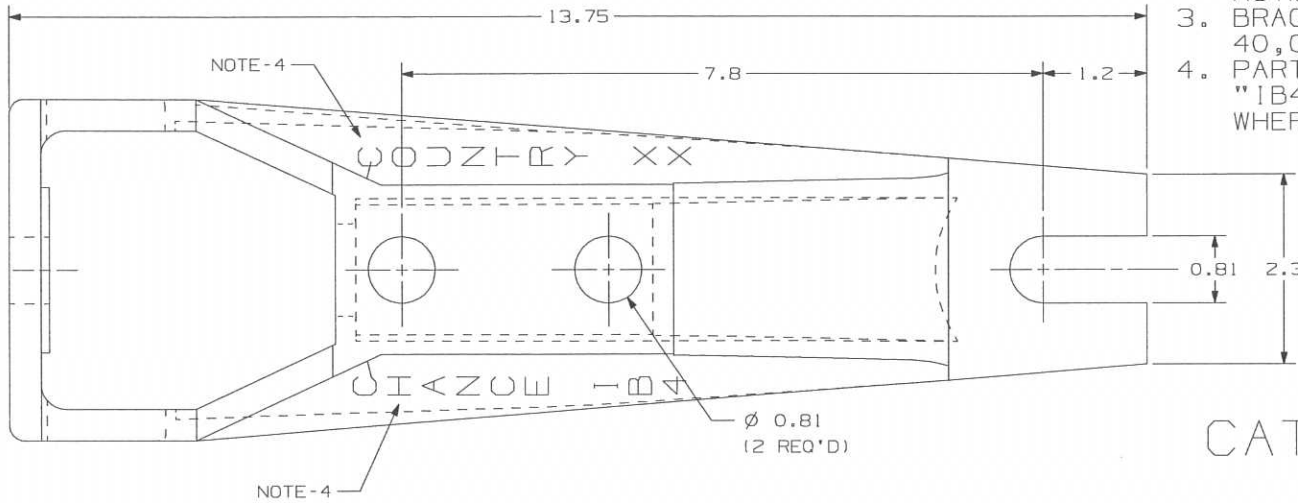
TITLE  
VERI LITE  
15 KV LINE POST

SIZE S	DWG NO. --	CAT / PART / ASSY NO. 80S015-0F09	REV 2
-----------	---------------	--------------------------------------	----------

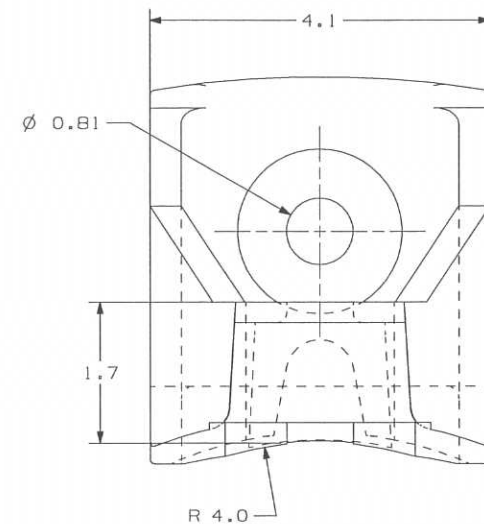
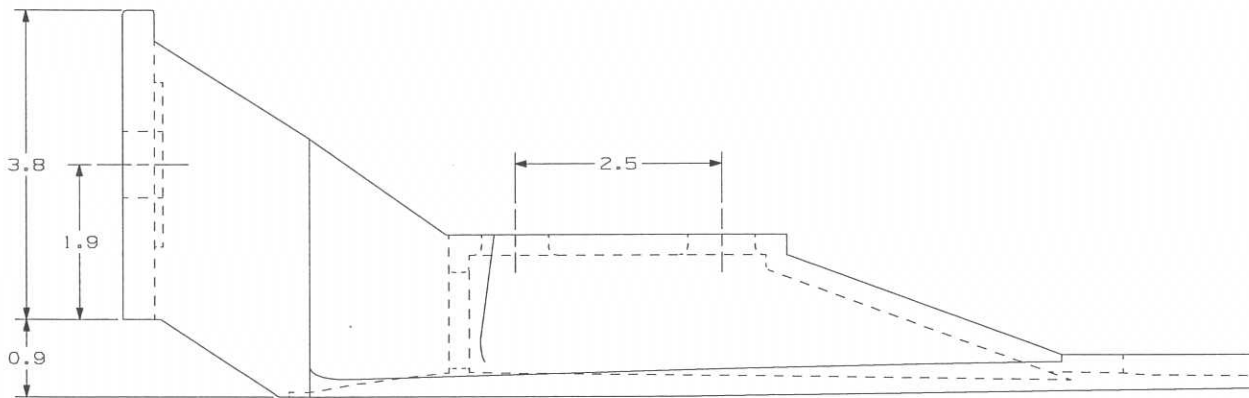
REV DATE 08/21/07	DO NOT SCALE THIS DRAWING	DRN BY JVR	DATE 08/31/05	SHEET 1 OF 1
----------------------	---------------------------	------------	---------------	--------------

-NOTES-

1. MATERIAL: DUCTILE IRON GRADE 65-45-12 PER ASTM A536 (LATEST REVISION).
2. FINISH: HOT DIP GALVANIZE PER ASTM A153 (LATEST REVISION).
3. BRACKET CANTILEVER RATING: 40,000 IN\*LB.
4. PART IDENTIFIED WITH "CHANCE", "IB4", AND COUNTRY OF ORIGIN WHERE "XX" IS MANUFACTURER'S ID.



CATALOG NO. IB4



LATEST EC NO:		REV.	DATE	CHANGED BY	RESP ENGINEER
-----		-	-----	-----	-----
DRN BY:	DATE	TITLE:		SIZE	
WILSON	04/20/11	POLE TOP BRKT		C	
		DWG NO:		SAIB4	

CONFIDENTIAL: THIS DRAWING AND ITS CONTENTS ARE CONFIDENTIAL AND THE EXCLUSIVE PROPERTY OF HUBBELL POWER SYSTEMS. NO PART OF THIS DRAWING OR THE CONTENTS HEREOF MAY BE REPRODUCED OR TRANSMITTED IN ANY FORM OR BY ANY MEANS, ELECTRONIC OR MECHANICAL, INCLUDING PHOTOCOPYING, RECORDING, OR BY ANY INFORMATION STORAGE AND RETRIEVAL SYSTEM, WITHOUT THE WRITTEN CONSENT OF HUBBELL POWER SYSTEMS. © 2001 HUBBELL A.S. CHANCE. UNPUBLISHED - ALL RIGHTS RESERVED UNDER THE COPYRIGHT LAWS.